



Specification

1.Product Pictures.....	P2
2.Overall dimensions.....	P3
3.Product features.....	P4
4.Technical parameters.....	P5
5.Installation drawing.....	P6
6.Application area.....	P6
7.Attention.....	P7
8.Warning.....	P7

1. Product Pictures



2.5inch Downlight 9W



3inch Downlight 9W/12W



3inch Downlight 15W



4inch Downlight 15/20W

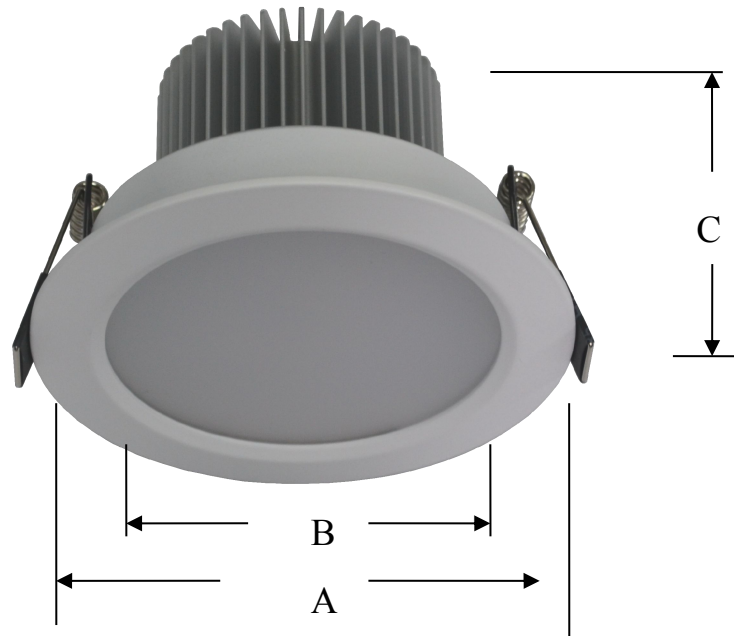


6inch Downlight 20W



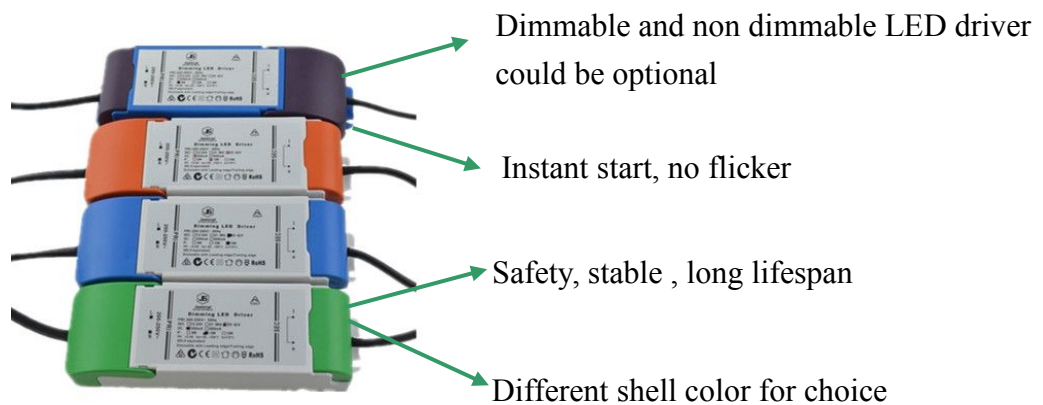
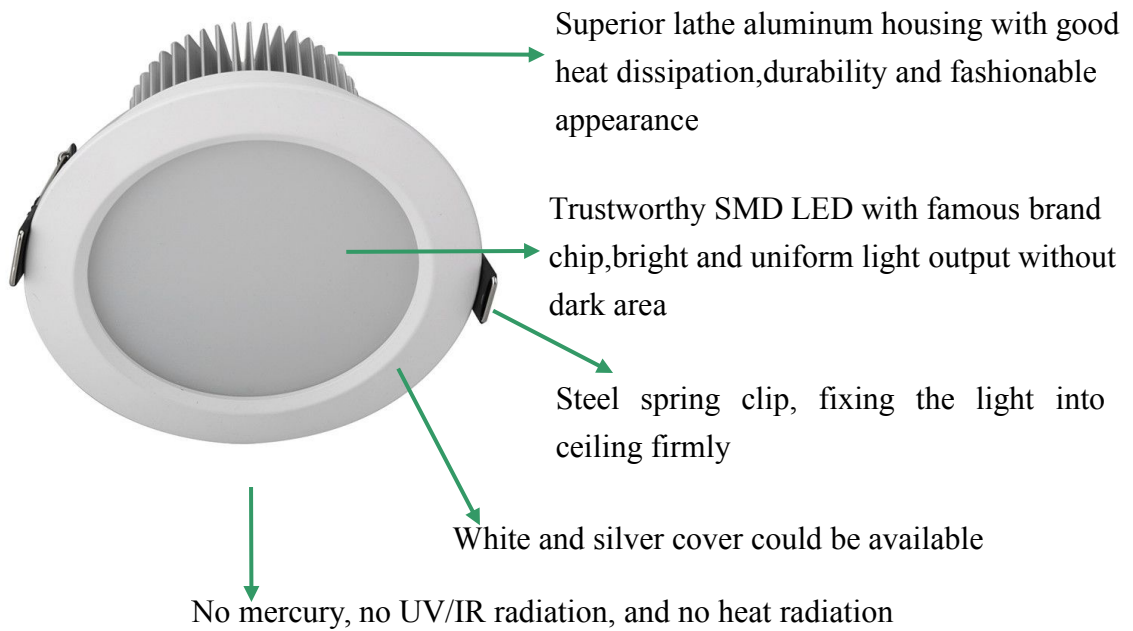
8inch Downlight 30W

2. Overall Dimensions



Items	A Diameter(mm)	B Cutout(mm)	C Height(mm)
2.5inch(9W)	90	75	42
3inch (9/12W)	110	90	48
3inch (15W)	110	90	68
4inch(15/20W)	140	120	52
6inch(20W)	180	165	67
8inch(30W)	230	205	82

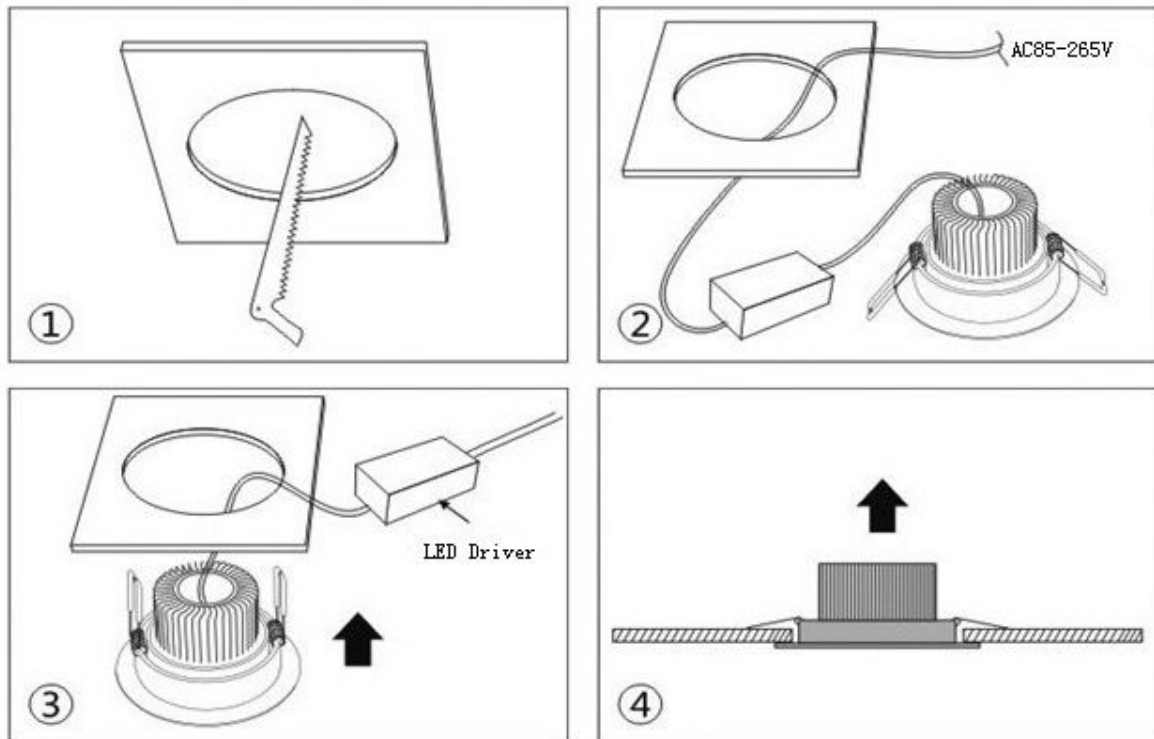
3. Product Features



4. Technical Parameters

Items	2.5inch	3inch (9/12W)	3inch (15W)	4inch (15W/20W)	6inch (20W)	8inch(30W)
Model No.	JX-THJ273P9	JX-THJ288P9/ 12	JX-THJ287P15	JX-THJ275P15/ P20	JX-THJ275P20	JX-THJ276P30
Input Voltage	85-265VAC	85-265VAC	85-265VAC	85-265VAC	85-265VAC	85-265VAC
Power	9W ±10%	9/12W ±10%	15W ±10%	15/20W ±10%	20W±10%	30W ±10%
Dimmable	Optional	Optional	Optional	Optional	Optional	Optional
Luminous Flux	800Lm±10%	800Lm/1050Lm ±10%	1250Lm±10%	1250/1800Lm ±10%	1800Lm±10%	2600Lm±10%
Luminous Efficiency	≥80Lm/W	≥80Lm/W	≥80Lm/W	≥80Lm/W	≥80Lm/W	≥80Lm/W
Color Temperature	2500-7000K	2500-7000K	2500-7000K	2500-7000K	2500-7000K	2500-7000K
Rendering Index	≥80	≥80	≥80	≥80	≥80	≥80
LED Type	2835 SMD	2835 SMD	2835 SMD	2835 SMD	2835 SMD	2835 SMD
Cover Color	White/Silver/ Black	White/Silver /Black	White/Silver /Black	White/Silver/ Black	White/Silver/ Black	White/Silver/ Black
Beam Angle	120 degrees	120 degrees	120 degrees	120 degrees	120 degrees	120 degrees
IP Standard	IP44	IP44	IP44	IP44	IP44	IP44
Warranty	3 years	3 years	3 years	3 years	3 years	3 years

5. Installation drawing



6. Application area:



Hotel, Exhibition, Hospital, Stores, Library, School, Convenience stores, Bank, Airport, Office lighting, Museum, Home

7. Attention

1. Please handle with care when transportation.
2. Don't use in the place with corrosive, flammable and explosive materials.
4. Don't use in the place near heat source.
5. Please insure all the joint could be connected correctly and reliably.
6. Don't open product cover without permission.
7. Please disconnect the power before installation or maintenance.
8. Environment temperature: $-20\sim 60^{\circ}\text{C}$.
9. Storage temperature: $-40\sim 85^{\circ}\text{C}$.

8. Warming

1. The lamp should be installed and disassembled by qualified electrician.
2. Please read and observe operating instruction before installation.
3. Please insure that the lamp has been cooling and the power has been disconnected before installation, maintenance and replacement.
4. Please switch on the power after confirmation of correct installation.
5. Please insure ventilation around the lamp and don't use the lamp against of fire regulation.
6. Please don't disassemble and assemble the lamp personally.
7. Please consult qualified engineer if you have any doubt.